

TRAINING: SOLIDWORKS MBD (1 Day)

Prerequisites: Before taking this SOLIDWORKS training course, you must have completed the SOLIDWORKS Essentials Training.

Description: This course aims to teach you how to use SOLIDWORKS MBD to present product and manufacturing information (PMI) in a 3D PDF file. This course includes using DimXpert and annotation views combined with capturing and publishing 3D views.

Introduction

- ▣ About This Course

Lesson 1: Introduction to SOLIDWORKS MBD

- ▣ What is SOLIDWORKS MBD?
- ▣ MBD using Feature Dimensions
- ▣ Sharing 3D Views
- ▣ 3D PDF Capabilities
- ▣ MBD using DimXpert
- ▣ DimXpert Capabilities
- ▣ eDrawings and MBD
- ▣ eDrawings Capabilities
- ▣ STEP 242 Files
- ▣ MBD and Assemblies

Lesson 2: Using Feature Dimensions and Annotation Views

- ▣ Using Feature Dimensions with MBD
- ▣ Default Annotation Views
- ▣ Optimizing Settings
- ▣ Adding and Organizing Annotations
- ▣ Adding Reference Dimensions
- ▣ Modifying Dimensions
- ▣ Creating a Section Annotation View
- ▣ Editing an Annotation View
- ▣ Unassigned Items
- ▣ Creating an Annotation View
- ▣ Notes Area
- ▣ Using Tables

Lesson 3: Capturing 3D Views

- ▣ 3D Views
- ▣ 3D Views Tab
- ▣ Capture 3D View
- ▣ Activating and Modifying 3D Views
- ▣ Publishing PMI
- ▣ Special 3D View Types
- ▣ Model Break View

Lesson 4: 3D PDF Template Editor

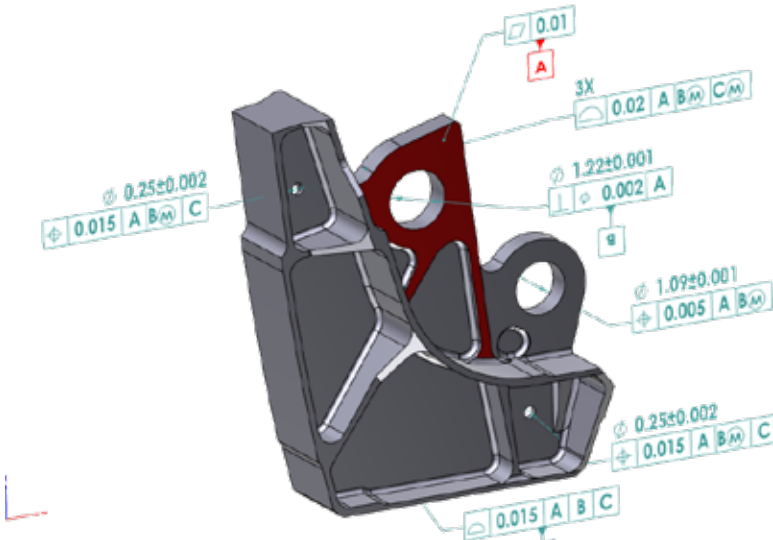
- ▣ 3D PDF Template Editor
- ▣ Areas of the Template
- ▣ Text Types
- ▣ Other Template Aspects
- ▣ Building a Custom Template
- ▣ Saving and Storing Custom Templates
- ▣ Testing the Template

Lesson 5: Using DimXpert

- ▣ DimXpert Block Tolerances
- ▣ DimXpert Dimension Settings
- ▣ How DimXpert Works
- ▣ Auto Dimension Scheme
- ▣ DimXpert Manager
- ▣ Show Tolerance Status
- ▣ Modifying DimXpert Annotations
- ▣ Combining Dimensions
- ▣ Creating Multiple Schemes
- ▣ Manual DimXpert Annotations
- ▣ Feature Selector Toolbar
- ▣ Using DimXpert Dimension Tools
- ▣ Unique DimXpert Options

Lesson 6: MBD and Assembly Models

- ▣ Assembly Models and MBD
- ▣ Assembly Level Dimensions
- ▣ Optimizing Settings in Assemblies
- ▣ Adding Assembly Annotations
- ▣ BOM Tables and Balloons
- ▣ Publishing Assembly PMI
- ▣ Additional MBD Tools



Click or Scan



www.designandprocess.com
+1 251-305-3636