

TRAINING: SOLIDWORKS Inspection (1.5 Days)

Prerequisites: SOLIDWORKS Essentials, Fundamental knowledge of FAI or inspection documentation

Description: Learn the basics of working with SOLIDWORKS Inspection to automate the process of working with inspection documents. In this course, you will work with both the add-in and standalone versions of the product.

Introduction

About This Course

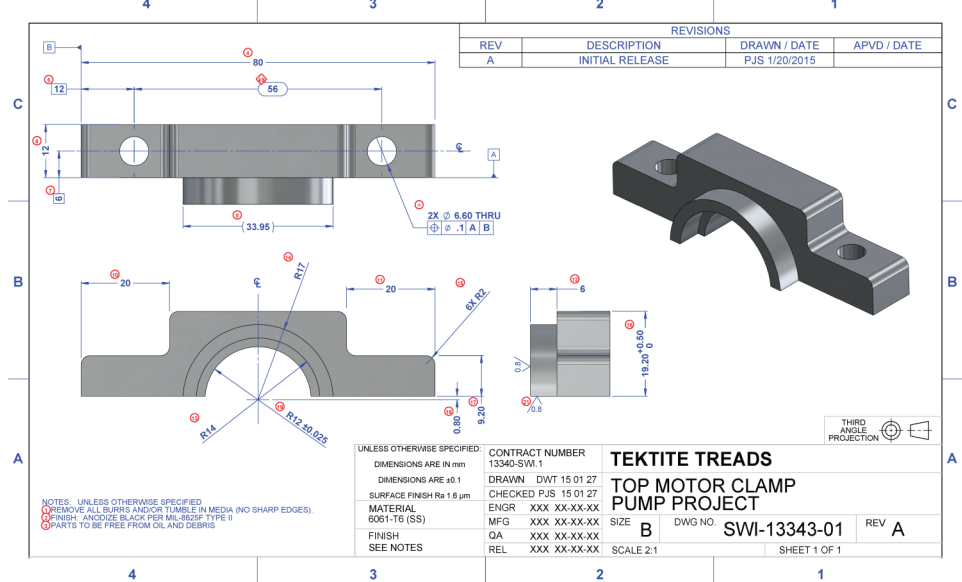
Lesson 1: Inspection Add-in

- What is SOLIDWORKS Inspection?
- Inspection Add-in
- Inspection Project
- Project Template
- General Settings
- Extraction Settings
- Tolerance Settings
- SOLIDWORKS Inspection Manager
- Characteristic Properties
- Balloon Settings
- Reorder Balloons
- Multiple Characteristic Instances
- Multi-line Notes
- Export Inspection Data
- Design Revision
- Manual Ballooning
- Working with 3D Documents

Lesson 2: Standalone Application

- Overview
- User Interface
- Shortcut Keys
- Inspection Project
- Project Template
- Project Properties
- Save Options
- Unit/Tolerance Options
- Ballooning Options
- Extracting Characteristics
- Characteristic Pane
- Hide and Show Extracted Annotations
- GDT Builder
- General Characteristic Tools
- Validating Characteristics
- Table Manager
- Bill of Material

Ballooned By SOLIDWORKS Inspection®



- Specifications
- Managing Characteristics
- Reorder Balloons
- Grids
- Multiple Documents
- Publishing Reports
- Drawing Revisions

Lesson 3: SOLIDWORKS Inspection Professional

- Overview
- Measurements Input
- CMM Data Import
- Loading the Inspection Professional
- Measurements Input and Entries
- Color Coded Characteristics
- Multiple Measurements
- Bonus Tolerance
- Publishing Reports With Inspection Results

Appendix A: Inspection Report Templates

- Template Editor
- Report Formatting
- Tokens
- Excel Conditional Formatting
- Footer Row

Appendix B: Understanding Regular Expressions

- Regular Expressions

Appendix C: Glossary of Quality Terms

- Terminology

Click or Scan



www.designandprocess.com
 +1 251-305-3636