

TRAINING: SOLIDWORKS Drawings ANSI (3 Days)

Prerequisites: Before taking this SOLIDWORKS course, it is recommended that you complete the SOLIDWORKS Essentials Training.

Description: This SOLIDWORKS training course teaches you how to make drawings of SOLIDWORKS parts and assemblies.

Introduction

- About This Course

Lesson 1: Review of the Basics

- Review of Essentials
- Drawing System Options
- Beginning a New Drawing
- View Palette and Model Views
- Detailing Techniques
- Section Views
- Detail Views
- Moving Drawing Views
- Moving Dimensions
- Center Marks & Centerlines
- Assembly Drawing Review
- Adding Sheets
- Standard 3 View

Lesson 2: Understanding Drawing Templates

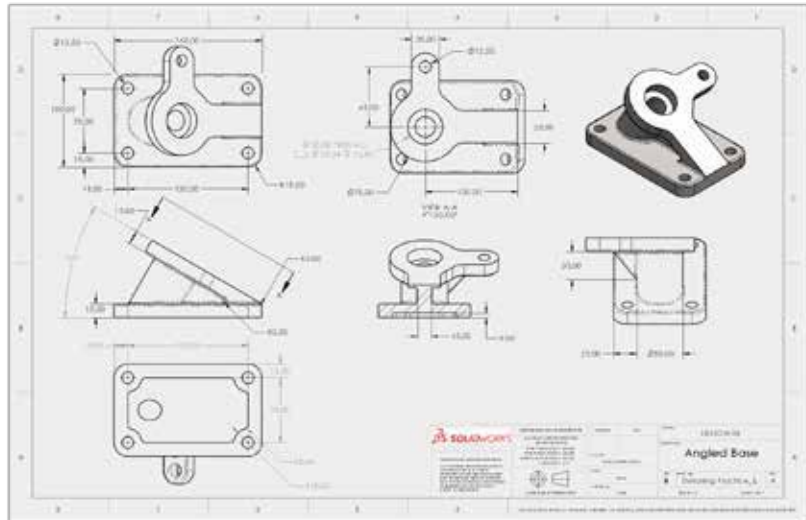
- Structure of a Drawing Document
- Drawing Document
- Drawing Sheet
- Sheet Format
- Understanding Drawing Templates
- Drawing Template Design Strategy
- Designing a Drawing Template
- Creating a Sample Model and Drawing

Lesson 3: Customizing the Sheet Format

- Customize the Sheet Format
- Setting Anchors
- Title Block Fields

Lesson 4: Saving and Testing the Sheet Format File

- Understanding Sheet Format Properties
- Understanding Sheet Format Behavior
- Saving the Sheet Format
- Testing the Sheet Format
- Testing Sheet Format Properties



Lesson 5: Creating Additional Sheet Formats and Templates

- Creating Additional Sheet Formats
- Drawing Templates with Sheet Formats
- Other Drawing Template Items
- Property Tab Builder
- Properties.txt File

Lesson 6: Advanced Options for Drawing Views

- Advanced Drawing Views
- Showing Hidden Edges
- Broken-out Section View
- Auxiliary View
- Rotating Views
- Crop View
- Understanding View Focus
- Advanced Views for Assemblies
- Section Scope
- Alternate Position View
- Using Configurations
- Custom View Orientations
- New View
- Relative View
- 3D Drawing Views

Lesson 7: Understanding Annotation Views

- Understanding Annotation Views
- Exercise 22: Editing Annotation Views

Lesson 8: Advanced Detailing Tools

- Detailing Tools
- Annotation Views vs. Model Items
- Parametric Notes
- Dimension Types
- Arranging Dimensions
- Location Labels
- Exercise 23: Detailing Practice
- Exercise 24: Dimension Types
- Exercise 25: Chain Dimensions
- Exercise 26: Arranging Dimensions

Lesson 9: Using Layers, Styles and the Design Library

- Using Layers
- Dimension Styles
- Annotations in the Design Library
- Flag Note Bank

Click or Scan

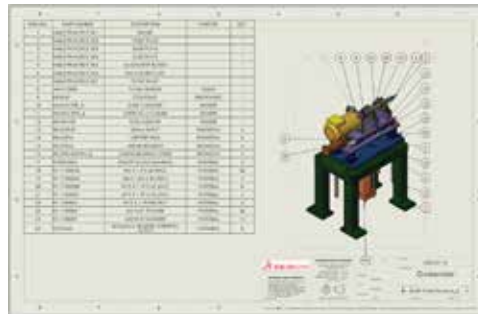


www.designandprocess.com
+1 251-305-3636

TRAINING: SOLIDWORKS Drawings ANSI (3 Days)

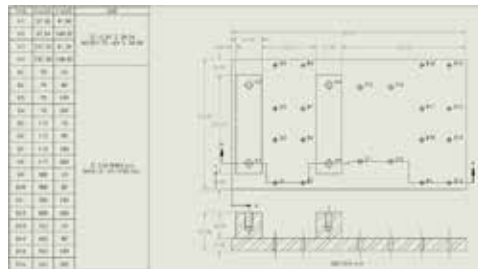
Lesson 10: Advanced Options for BOM Tables

- Tables in SOLIDWORKS
- Bill of Materials Properties
- Displaying the BOM Assembly Structure
- Modifying a Table
- Saving a Table Template
- Properties in BOM Tables
- BOM Component Options
- Balloon Indicator



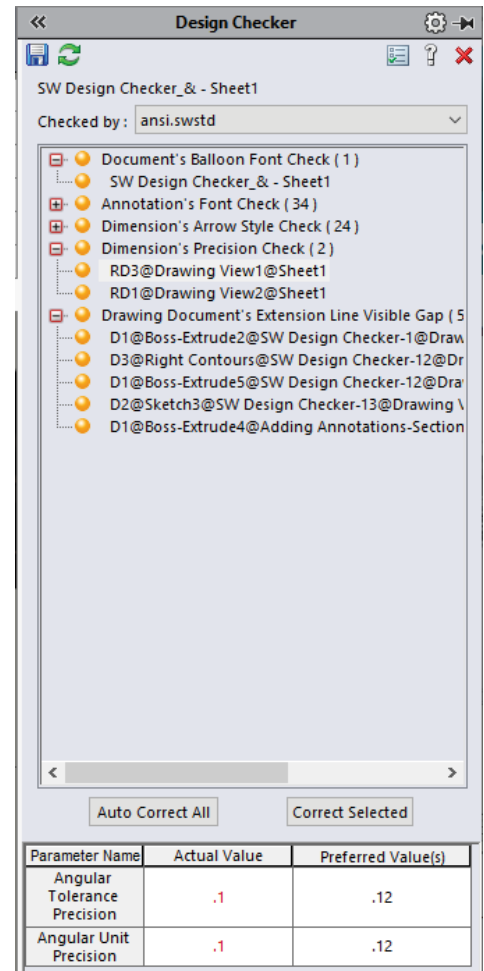
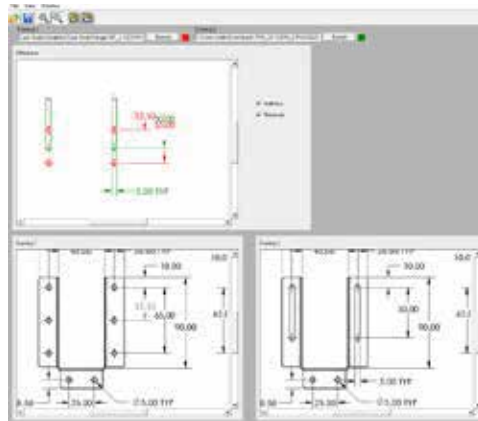
Lesson 11: Additional SOLIDWORKS Tables

- Additional SOLIDWORKS Tables
- Inserting a Hole Table
- Splitting a Table
- Using a Revision Table
- Leader Annotation Options
- Design Tables in Drawings



Lesson 12: Additional Drawing Tools

- Reusing Drawings
- Draw Compare
- SOLIDWORKS Design Checker
- SOLIDWORKS Task Scheduler



Lesson 13: Managing Performance

- Managing Performance
- Performance Evaluation
- Detailing Practices
- System Options & Document Properties
- Open Options
- Detached Drawings
- Hardware and Performance
- Additional Considerations
- Quick Reference Guide

Click or Scan



www.designandprocess.com
+1 251-305-3636